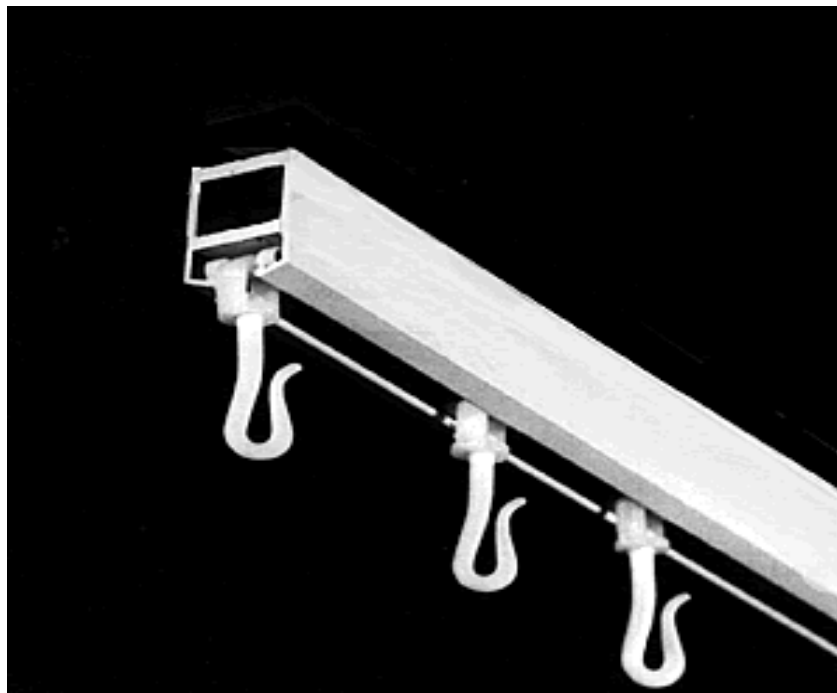


Series 98

Mini Hospital Track System



Oslo Series 98 Mini Hospital Tracking is available as a fixed rail system only. It is a versatile system suitable for hospitals, nursing homes or home shower curtains.

Oslo Series 98 Mini Hospital Tracking is made from Aluminium Extrusion with external dimensions of 25mm x 20mm. Thick walled construction complemented with solid bracketing and fixing attachments makes Oslo Series 98 Mini Tracking a strong system which will give years of trouble free service.

Available in clear anodised and white powdercoat finishes.

SERIES 98 MINI HOSPITAL TRACK

Photo	Code	Colour	Description	Qty	Price
	98204S	Silver	Track Section - dimensions 20mm x 25mm. 4 metre length	Each	
	98204W	White		Each	
	98206S	Silver	Track Section - dimensions 20mm x 25mm. 6 metre length	Each	
	98206W	White		Each	
	9931	White	Swivel Curtain Hook	Each	
	9860S	Silver	Wall Mount Track Bracket	Each	
	9860W	White		Each	
	9841S	Grey	End Stop	Each	
	9841W	White		Each	
	9951S	Silver	Single Point Hanger	Each	
	9951W	White		Each	
	9952S	Silver	Two Point Hanger	Each	
	9952W	White		Each	
	9853S	Silver	Ceiling Bracket	Each	
	9853W	White		Each	
	9943S	Silver	Ceiling Cover - 78mm Diameter	Each	
	9943W	White		Each	
	9956S	Silver	Swivel Mount	Each	
	9990S	Silver	Suspension Tube - 4 metre	Per Mtr	
	9990W	White		Per Mtr	

SERIES 99

FIXED RAIL HOSPITAL TRACK



Oslo Series 99 hospital tracking is available as either a fixed or movable rail system. Curtain loading cartridges and an intravenous drip carrier system makes the **Oslo Series 99 hospital tracking** a very versatile system ideal for public and private hospitals, nursing homes and doctor surgeries.

Oslo Series 99 hospital tracking is made from aluminium extrusion with external dimensions of 38mm x 20mm. Thick walled construction complemented with solid bracketing and fixed attachments makes **Oslo Series 99 hospital tracking** a strong system which will give years of trouble free service.

Available in silver and white powdercoated finishes.

SERIES 99 FIXED RAIL HOSPITAL TRACK

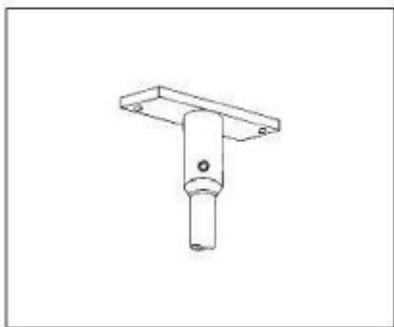
Photo	Code	Colour	Description	Qty	Price
	99204S 99204W	Silver White	Track Section - dimensions 20mm x 38mm. 4 metre length	per/m	
	99206S 99206W	Silver White	Track Section - dimensions 20mm x 38mm. 6 metre length	per/m	
	9931	White	Swivel Curtain Hook	Each	
	9960S 9960W	Silver White	Wall Mount Track Bracket	Each	
	9941S 9941W	Grey White	End Stop	Each	
	9951S 9951W	Silver White	Single Point Hanger	Each	
	9952S 9952W	Silver White	Two Point Hanger	Each	
	9953S 9953W	Silver White	Ceiling Bracket	Each	
	9943S 9943W	Silver White	Ceiling Cover - 78mm Diameter	Each	
	9956S	Silver	Swivel Mount	Each	

SERIES 99 FIXED RAIL HOSPITAL TRACK

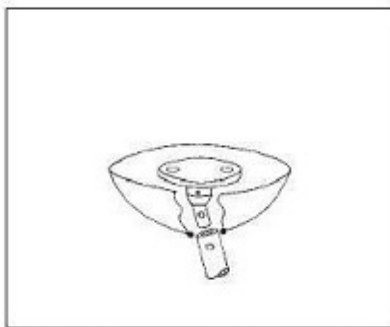
Photo	Code	Colour	Description	Qty	Price
	9990S 9990W	Silver White	Suspension Tube - 4 metre	Per Metre	
	9947S 9947W	Silver White	Splice	Each	
	9946	Silver	Internal Joiner	Each	
	9955S 9955W	Silver White	Wall Bracket 75mm Projection	Each	
	9961S 9961W	Silver White	Shower Bracket	Each	
	9942S 9942W	Grey White	Traverse stop for slotted track	Each	
	9993	Silver	Trolley assembly for moving rail	Each	
	9995S 9995W	Silver white	Cassette Complete 615mm length	Each	
	9932	Silver	IV tree carrier for 9920 solid track	Each	
	9997	Silver	5 point IV tree adjustable length with folding arms	Each	

SERIES 99 FIXED RAIL HOSPITAL TRACK

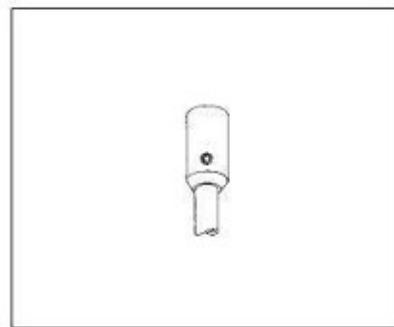
Components & Methods of Attachment
Fixed and Moving Rail Tracks



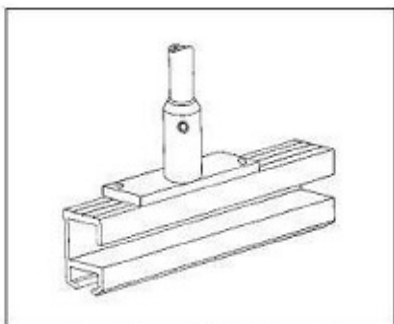
Two Screw Attachment to Ceiling



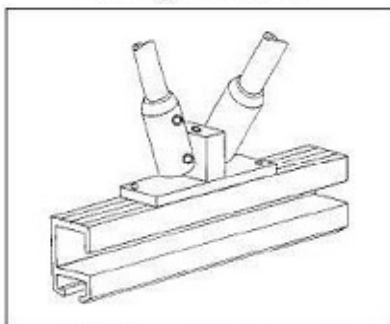
Swivel Hanger Attachment to Ceiling with Cover



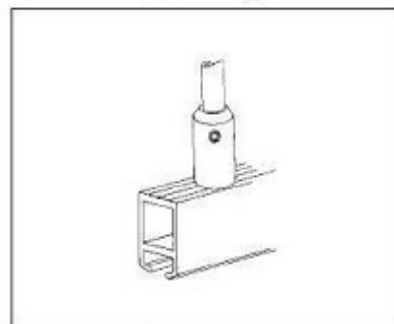
Single Screw Attachment to Ceiling



Two Screw Attachment



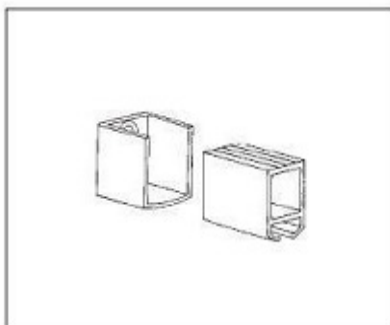
"V" Hanger Attachment



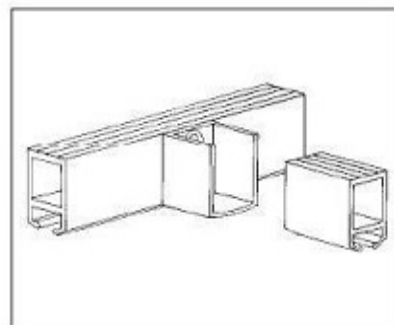
Single Screw Attachment



Wall Bracket



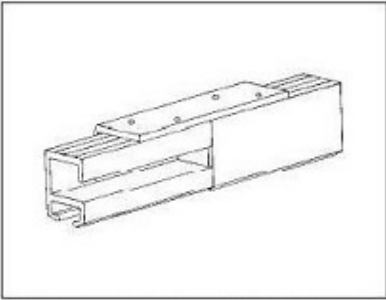
Wall Shoe



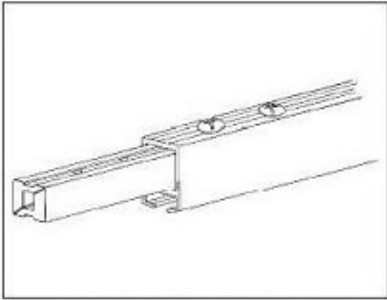
Attaching Track at 90 Degrees

SERIES 99 FIXED RAIL HOSPITAL TRACK

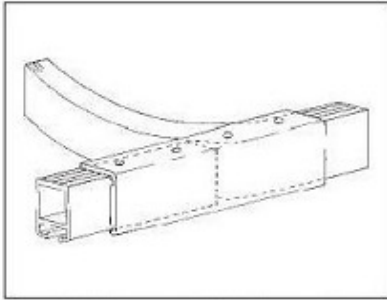
Components & Methods of Attachment
Fixed and Moving Rail Tracks



Joining Slotted and Fixed Track



Joining Fixed Track



90 Degree Attachment
with Curved Track

